



Odd Ball Industries Mfg. Co., Inc.
PO Box 376 · Greenlawn, NY 11740
Ph: (631) 754-0400 / Fx: (631) 925-5347
www.oddballindustries.com

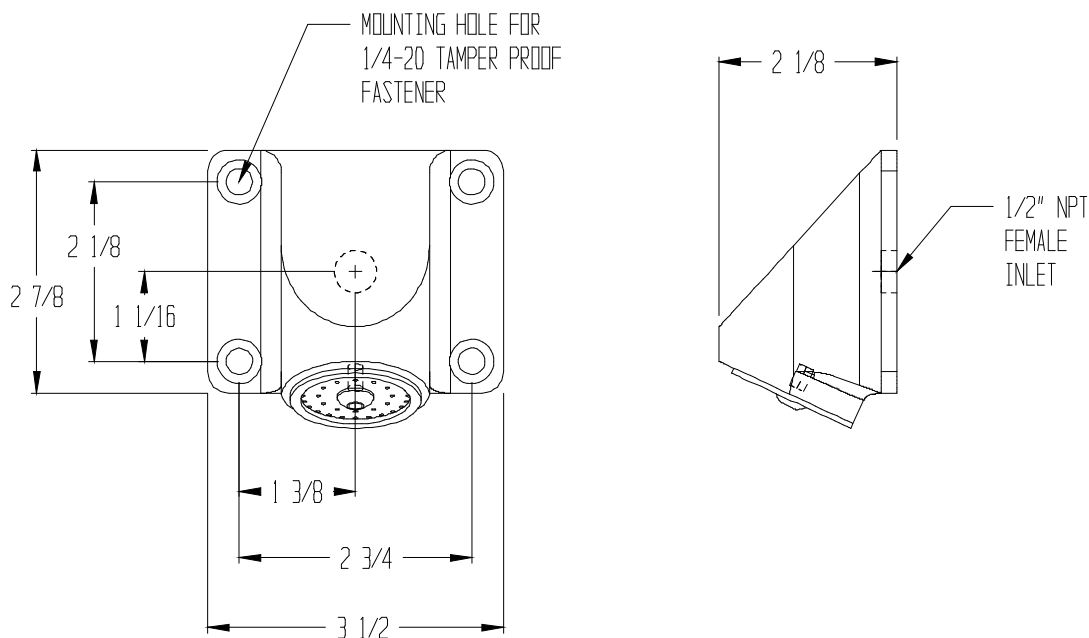
Installation of SP-7 Shower Head

Warning: This product is ligature-resistant only when properly installed. A loosened fixture can easily be tied to. Any product which can be removed can be used as a weapon!

Directions:

Refer to the diagram below for mounting hole locations relative to the 1/2" NPT female water inlet. Use wall anchors as appropriate to ensure a structurally sound attachment. Secure to the wall using 1/4-20 fasteners¹. (Fasteners not included.)

+



+

Maintenance: Only clean with mild detergent and a non-abrasive cloth. Aggressive cleaning techniques may remove the finish.

¹ Tamper proof fasteners are strongly recommended. The selection of a particular size and type of tamper proof fastener should be made in conjunction with a facility manager, because it depends upon factors such as construction materials and institutional standards.