



Odd Ball Industries Mfg. Co., Inc.
PO Box 376 · Greenlawn, NY 11740
Ph: (631) 754-0400 / Fx: (631) 925-5347
www.oddballindustries.com

Installation of SP-8 Mirror

Warning: This product is ligature-resistant only when properly installed. A loosened fixture can easily be tied to. Any product which can be removed can be used as a weapon!

Directions:

1. Securely fasten the included bracket to the wall.
2. Use the provided locking screws to secure the mirror to the bracket. (Top and bottom of frame)
3. Fill any gaps between the mirror and the wall with a security sealant (such as Pecora Dynapoxy EP-1200).

Optional Mirror Guard:

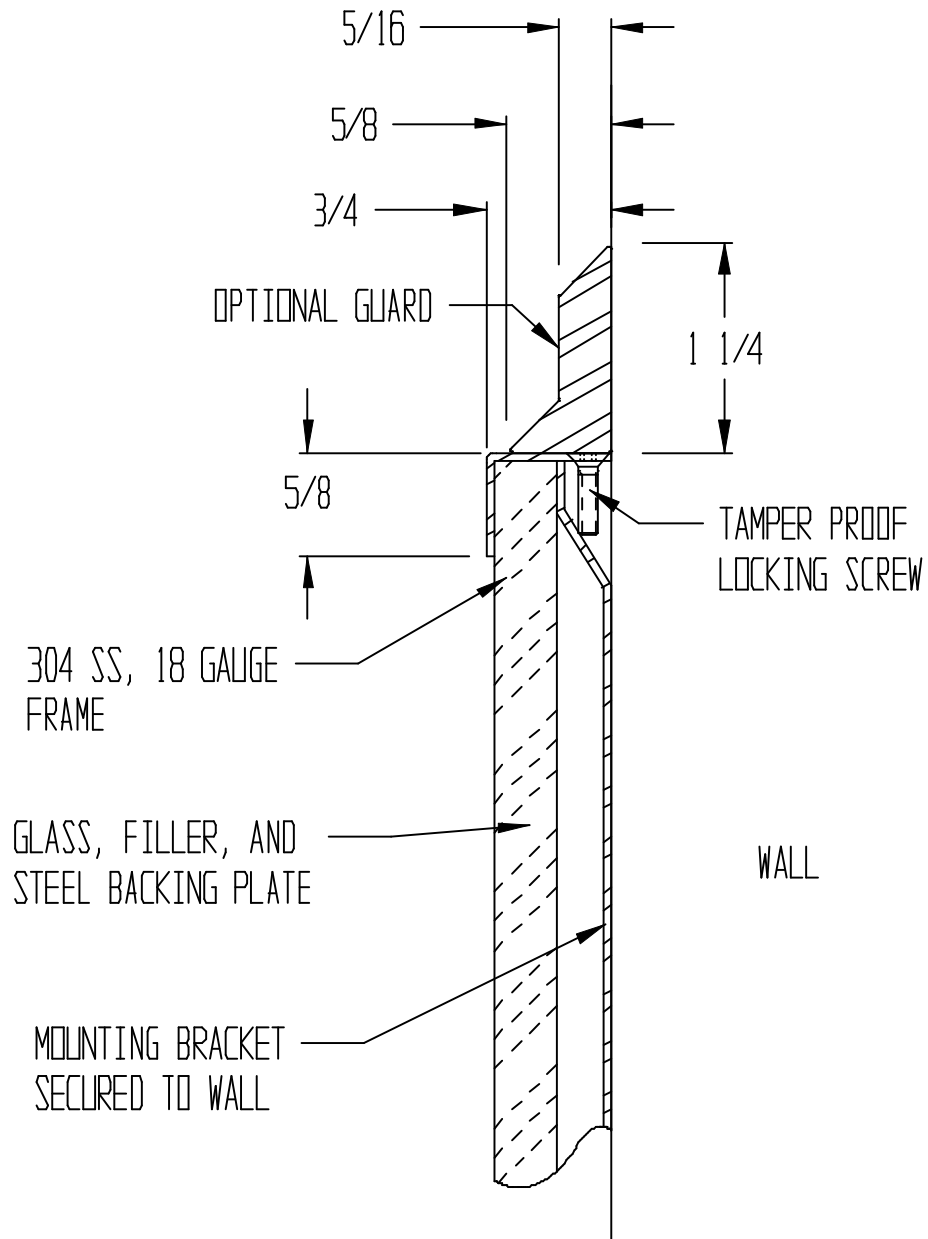
4. Place the optional mirror guard on top of the frame, and secure it to the wall with fasteners¹ through the 5/16" section.
5. Fill any gaps between the guard and mirror and the wall with a security sealant (such as Pecora Dynapoxy EP-1200).

¹ Tamper proof fasteners are strongly recommended. The selection of a particular size and type of tamper proof fastener should be made in conjunction with a facility manager, because it depends upon factors such as construction materials and institutional standards.



Odd Ball Industries Mfg. Co., Inc.
PO Box 376 · Greenlawn, NY 11740
Ph: (631) 754-0400 / Fx: (631) 925-5347
www.oddballindustries.com

+



+